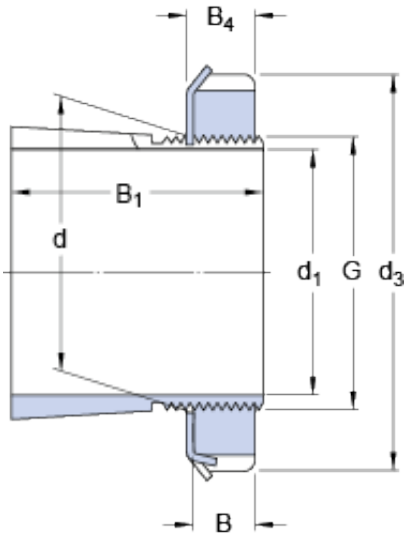




FAG BEARING CORP.

SKF HA 3040 AUSTRALIAN Bearing 50*70*35

Bearing No. HA 3040



HA 3040 Bearing 2D drawings and 3D CAD models

d_1	182.563 mm
d	200 mm
d_3	240 mm
B_1	120 mm
B	29 mm
B_4	31.5 mm
G	M 200x3
Mass adapter sleeve assembly	8.25 kg
Lock nut	KML 40
Locking device	MBL 40
Hydraulic nut	HMV 40 E