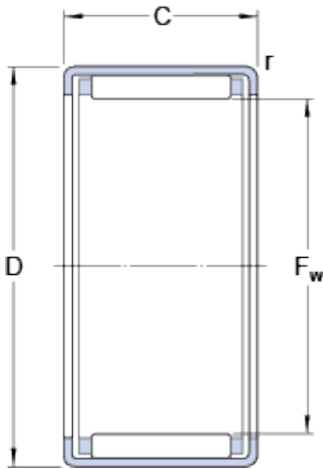




# FAG BEARING CORP.



## SKF HK 0808 AUSTRALIAN Bearing 12X16X10

Bearing No. HK 0808

HK 0808 Bearing 2D drawings and 3D CAD models

|                                  |                 |
|----------------------------------|-----------------|
| Size                             | 12x8x8 mm       |
| Bore Diameter                    | 12 mm           |
| Outer Diameter                   | 8 mm            |
| Width                            | 8 mm            |
| $F_w$                            | 8 mm            |
| D                                | 12 mm           |
| C                                | 8 mm            |
| r - min.                         | 0.4 mm          |
| Basic dynamic load rating - C    | 2.7 kN          |
| Basic static load rating - $C_0$ | 2.8 kN          |
| Fatigue load limit - $P_u$       | 0.285 kN        |
| Reference speed                  | 19000 r/min     |
| Limiting speed                   | 22000 r/min     |
| Mass bearing                     | 0.0027 kg       |
| Category                         | Roller Bearings |
| Inventory                        | 0.0             |
| Manufacturer Name                | SKF             |
| Minimum Buy Quantity             | N/A             |
| Weight / Kilogram                | 0.007           |
| EAN                              | 7316577712486   |
| Product Group                    | B04144          |
| $F_w$                            | 8 mm            |
| r min.                           | 0.4 mm          |
| Basic dynamic load rating C      | 2.7 kN          |
|                                  |                 |



## FAG BEARING CORP.

|   |          |
|---|----------|
| Basic static load rating $C_0$                                  | 2.75 kN  |
| Fatigue load limit $P_u$  | 0.285 kN |
| Designation bearing   | HK 0808  |
| Radial shaft seal with a low cross-sectional height, single lip | G 8x12x3 |