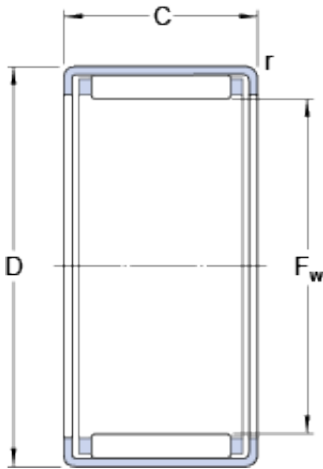




FAG BEARING CORP.



HK 0810 Bearing 2D drawings and 3D CAD models

SKF HK 0810 AUSTRALIAN Bearing 12*18*12

Bearing No. HK 0810

Size	12x8x10 mm
Bore Diameter	12 mm
Outer Diameter	8 mm
Width	10 mm
F_w	8 mm
D	12 mm
C	10 mm
r - min.	0.4 mm
Basic dynamic load rating - C	3.7 kN
Basic static load rating - C_0	4 kN
Fatigue load limit - P_u	0.44 kN
Reference speed	19000 r/min
Limiting speed	22000 r/min
Mass bearing	0.003 kg
Inner ring IR series	IR 5x8x12
Category	Roller Bearings
Inventory	0.0
Manufacturer Name	SKF
Minimum Buy Quantity	N/A
Weight / Kilogram	0.007
EAN	7316577010254
Product Group	B04144
bore diameter:	8 mm
static load capacity:	4.05 kN
outside diameter:	12 mm



FAG BEARING CORP.

bearing material:	Steel
overall width:	10 mm
maximum rpm:	22000 RPM
drawn cup type:	Open Ends
precision rating:	Not Rated
closure type:	Open
series:	HK
number of rows:	One
lubrication hole type:	No Hole
operating temperature range:	Maximum of +285 ° F
compatible inner ring:	IR 5x8x12
dynamic load capacity:	3.69 kN
F_w	8 mm
r min.	0.4 mm
Basic dynamic load rating C	3.69 kN
Basic static load rating C_0	4.05 kN
Fatigue load limit P_u	0.44 kN
Designation bearing	HK 0810
Radial shaft seal with a low cross-sectional height, single lip	G 8x12x3