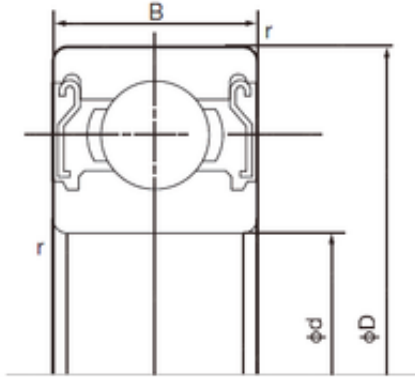




# FAG BEARING CORP.

20 mm x 42 mm x 12 mm NACHI 6004ZZE  
JAPAN Bearing 20 × 42 × 12



Bearing No. 6004ZZE

6004ZZE Bearing 2D drawings and 3D CAD models

|                               |                          |
|-------------------------------|--------------------------|
| Size                          | 20x42x12 mm              |
| Bore Diameter                 | 20 mm                    |
| Outer Diameter                | 42 mm                    |
| Width                         | 12 mm                    |
| d                             | 20 mm                    |
| D                             | 42 mm                    |
| B                             | 12 mm                    |
| C                             | 12 mm                    |
| r min.                        | 0.6 mm                   |
| da min.                       | 24 mm                    |
| Da max.                       | 38 mm                    |
| ra max.                       | 0.6 mm                   |
| Weight                        | 0.070 Kg                 |
| Basic dynamic load rating (C) | 9,4 kN                   |
| Basic static load rating (C0) | 5 kN                     |
| (Grease) Lubrication Speed    | 17000 r/min              |
| Category                      | Single Row Ball Bearings |
| Inventory                     | 0.0                      |
| Manufacturer Name             | NACHI                    |
| Minimum Buy Quantity          | N/A                      |
| Weight / Kilogram             | 0                        |
| Product Group                 | B00308                   |
| Enclosure                     | 2 Metal Shields          |
| Precision Class               | ABEC 1   ISO P0          |
| Maximum Capacity / Filling    | No                       |



## FAG BEARING CORP.

|                           |  |
|---------------------------|--|
| Slot                      |  |
| Rolling Element           | Ball Bearing   |
| Snap Ring                 | No   |
| Internal Special Features | No   |
| Cage Material             | Steel  |
| Internal Clearance        | C0-Medium  |
| Inch - Metric             | Metric   |
| Long Description          | 20MM Bore; 42MM Outside Diameter; 12MM Outer Race Width; 2 Metal Shields; Ball Bearing; ABEC 1   ISO P0; No Filling Slot; No Snap Ring; No Internal Special Features; C0-Medium Internal Clearance; Stee |
| Other Features            | Deep Groove  |
| Category                  | Single Row Ball Bearing  |
| UNSPSC                    | 31171504   |
| Harmonized Tariff Code    | 8482.10.50.68  |
| Noun                      | Bearing  |
| Keyword String            | Ball   |
| Manufacturer URL          | <a href="http://www.nachiamerica.com">http://www.nachiamerica.com</a>  |
| Outer Race Width          | 0.472 Inch   12 Millimeter   |
| Bore                      | 0.787 Inch   20 Millimeter   |
| Outside Diameter          | 1.654 Inch   42 Millimeter   |
| Inner Race Width          | 0 Inch   0 Millimeter  |
| Bore Type                 | Cylindrical Bore   |
| Configuration             | Single Row   |
| Bore Size                 | 20 mm  |
| Width                     | 12 mm  |
| Fillet Radius/Chamfer     | 0.6 mm   |
| Dynamic Load Rating       | 9,400 N  |
| Static Load Rating        | 5,000 N  |



## FAG BEARING CORP.

|                         |                   |
|-------------------------|-------------------|
| Limiting Speed - Grease | 18,000 rpm        |
| Factor $f_0$            | 13.9              |
| Radial Clearance        | 0.005 to 0.020 mm |
| $d_a$ (min)             | 24 mm             |
| $D_a$ (max)             | 38 mm             |
| $r_a$ (max)             | 0.6 mm            |